



IP67 Water Resistant Sample Draw Oxygen Monitor

ITEM#: TX1100SAM (99118)

Product Summary

The IP67 Water Resistant Sample Draw Oxygen Monitor is a self-contained oxygen deficiency system that is suitable for remote sampling of confined spaces that require daily wash-downs. The monitor can sample from up to 100 feet away and is ideal for facilities that use inert gases including, but not limited to, nitrogen, helium, and argon. It is perfect for environments such as breweries, bottling plants, food industries, flash freezing, and laboratories. The monitor will remain accurate at temperatures as low as -40C. PureAir's durable, non-depleting, zirconium oxide sensor will last up to 10+ years in a normal environment, without needing to be replaced.

Facilities That Need This Product

- *Laboratories*
- *Food Processing*
- *Pharmaceutical Manufacturing*
- *Breweries and Bottling Plants*
- *Flash Freezing Tunnels*
- *Freezers*

FEATURES

- Long-life 10+ year average sensor life
- Two-Alarm setpoints for 19.5% and 18.0%
- 3 year warranty
- Digital display, and 4-20mA analog output
- Wall mounting brackets
- Built-in sample pump

Why choose PureAir?

PureAir Monitoring Systems, Inc. is an industry leader in oxygen monitoring and gas detection. For over 20 years, we have dedicated ourselves to the safety of our clients, and the customers they serve, by manufacturing monitors that are long-lasting, accurate, and reliable. PureAir takes pride in providing exceptional customer service, along with 24/7 availability to our technical service department.

Why an IP67 Water Resistant Sample Draw Monitor Oxygen Deficiency Monitor?

The IP67 Water Resistant Sample Draw O2 Deficiency Monitor is designed for continuous, remote sampling where low oxygen levels pose a hazard to personnel and where there is a risk of exposing the monitor to water, including during wash-downs.

What gases can be detected?

PureAir's Water Resistant Sample Draw Oxygen Deficiency Monitors continuously measure oxygen levels in an ambient atmosphere where inert gases, including nitrogen, argon, helium, and carbon dioxide are used. The IP67 enclosure keeps the electronics dry during wash-downs.

Easy to Use

Secure the monitor to the wall so that the display is visible, place the remote sensor up to 100 feet from the monitor, and connect to a 24VDC 300mA power source. The monitor will begin sampling oxygen levels after a brief startup period. Oxygen levels are displayed clearly on the screen, for easy access and visibility.

Top Advantages of Water Resistant Oxygen Deficiency Monitor



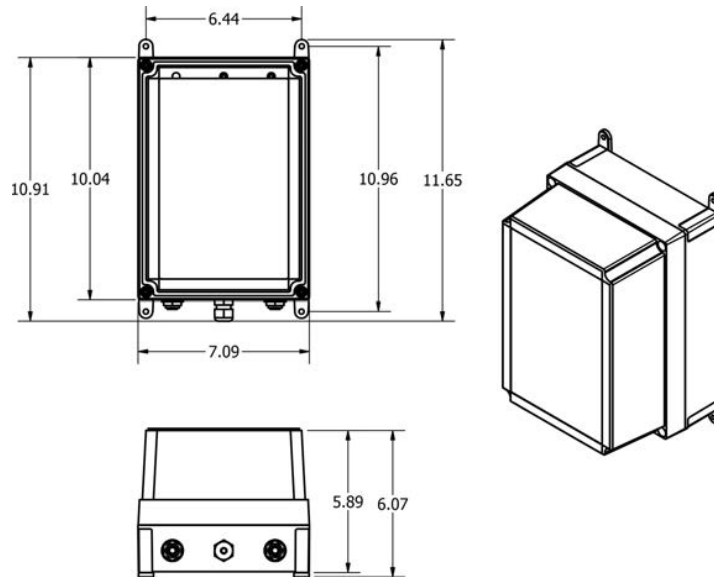
Oxygen Deficiency Alarm

PureAire's O2 Monitor comes with 2 adjustable alarm setpoints that can connect to a horn/strobe, exhaust fan, 8 channel controller, remote display, or into building systems. Alarm signals also can tie into automatic shut-off valves when oxygen levels fall below the OSHA threshold.



Easy To Use

The Air Check O2 Deficiency Monitor provides constant monitoring with little to no adjustments, saving you time and money while allowing the monitor to operate seamlessly. Our quality sensor makes this the longest lasting O2 monitor on the market.



Top Accessories



**8 Channel Programmable
Controller for O2 or Gas
Monitors**

ITEM #: 99058



**Remote Digital
Display**

ITEM #: 99091



**Red Horn/Strobe
24VDC**

ITEM #: 42002



1- 905- 335-6040

info@puritygas.ca
<https://puritygas.ca/>

Purity Gas Inc.
2115 South Service Road W
Unit 6
Oakville, ON L6L 5W2